

规格承认书

Specification for approval

产品名称: AB29 系列大型汽车插片保险丝

Product Type: AB29 Series SAE J1888 Color Coded Easy Identified

29mm Slow Blow Maxi Auto Blade Fuse 40A 32V 60V Orange

Ao littel Technology Co.Ltd.

Bld. 16,Yanhe East Road,Xiangdong Village, Dongguan 523833,
Guangdong,China

H.P.: 1371362419

Fax #:0769-89390418

QQ #: 3217998702

Email : eric.lye@aolittel.com

<http://www.passivemall.com/>

<http://www.aolittel.com/>

1. Scope

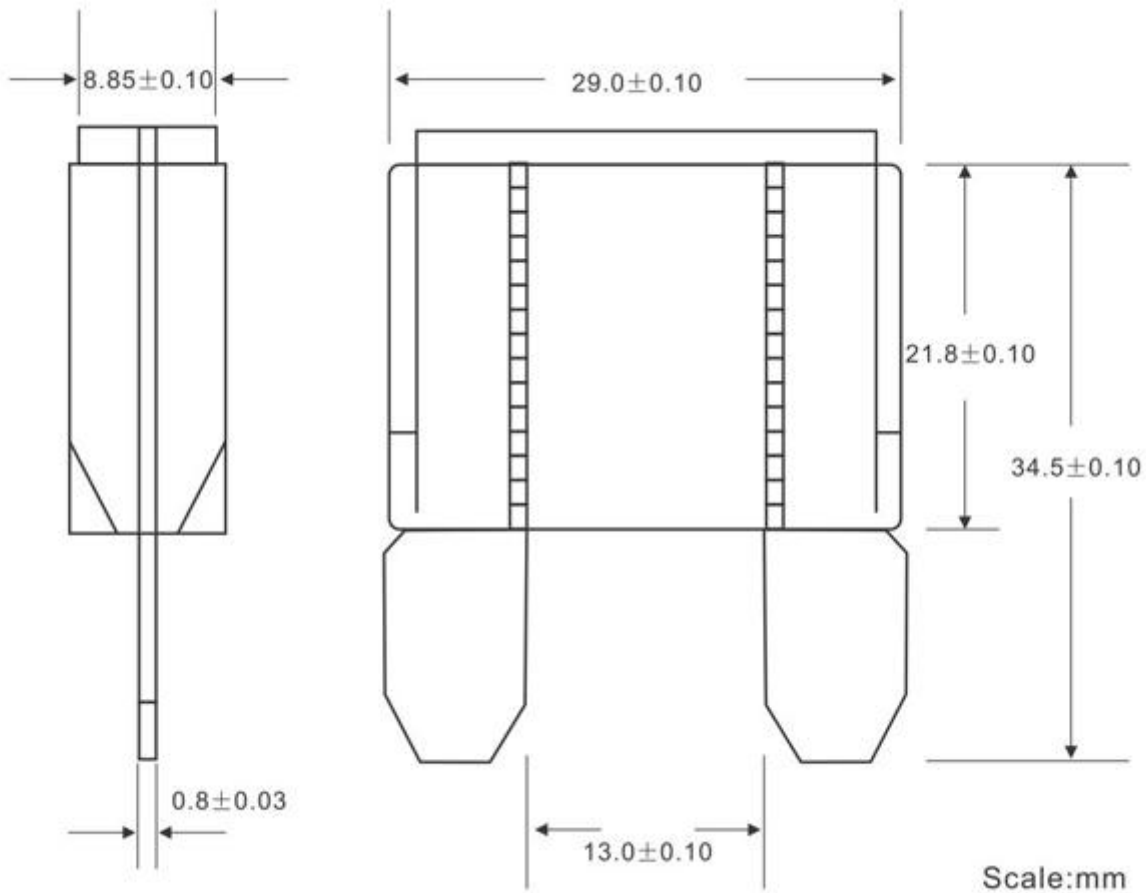
Auto Blade fuses shown are for in motor vehicles, boats and trailers to protect ect electrical wiring and equipment。 This standard is for the construction shown and is not intended to restrict the design and use of other configurations and materials capable of meeting the vehicle requirements.

2. Definition

A fuse is a device designed to interrupt the electrical circuit when subjected to over currents。 This action is to be non-reversible and the fuse is intended to be replaced after the circuit, malfunction has been corrected.

3. Application file: Complies with: The standard wage SAE J1888 Special Purpose Fuse

4. Dimension (mm)



Slow Blow.Low Voltage For UP To 32V DC.

Material

*Body: Plastic.

*Metal: Zinc Alloy Strip.

Standard

According To SAE J1888.

Circuit Protection To Replace Fusible Wire Or Fusible Link.

Fuses Are Color-Coded For Easy Amperage Identification.

5. Time-Current Characteristics

In	110%In	135%In		200%In		350%In		600%In	
		Min.	Max.	Min.	Max.	Min.	Max.	Min.	Max.
20-120A	>100Hours	60 s	3600 s	2 s	60 s	0.2 s	7 s	0.04 s	0.1 s

6. Electrical Performances

Part Number	Ampere(A)	VoltageVDC	Body Color
AB29020	20A	32V	Yellow
AB29030	30A	32V	Green
AB29040	40A	32V	Orange
AB29050	50A	32V	Red
AB29060	60A	32V	Blue
AB29070	70A	32V	Tan
AB29080	80A	32V	Natural
AB29100	100A	32V	Violet
AB29120	120A	32V	Purple

7. Product Photo

